

Perto 2.0

PETE2-A
Espresso machine



SP-PETE2-A / v1.1



Service onderdelen
Spare parts

NL
EN

Revisions

Version	Pagina/ page	Wijziging	Change
1.1	19	Mixer ring basic EOL	Mixer ring basic EOL
1.1	14/15	Grinder uitgifte	Grinder funnel
1.1	10/11	Vuilbaksteun nr.	Waste bin support bracket nr.

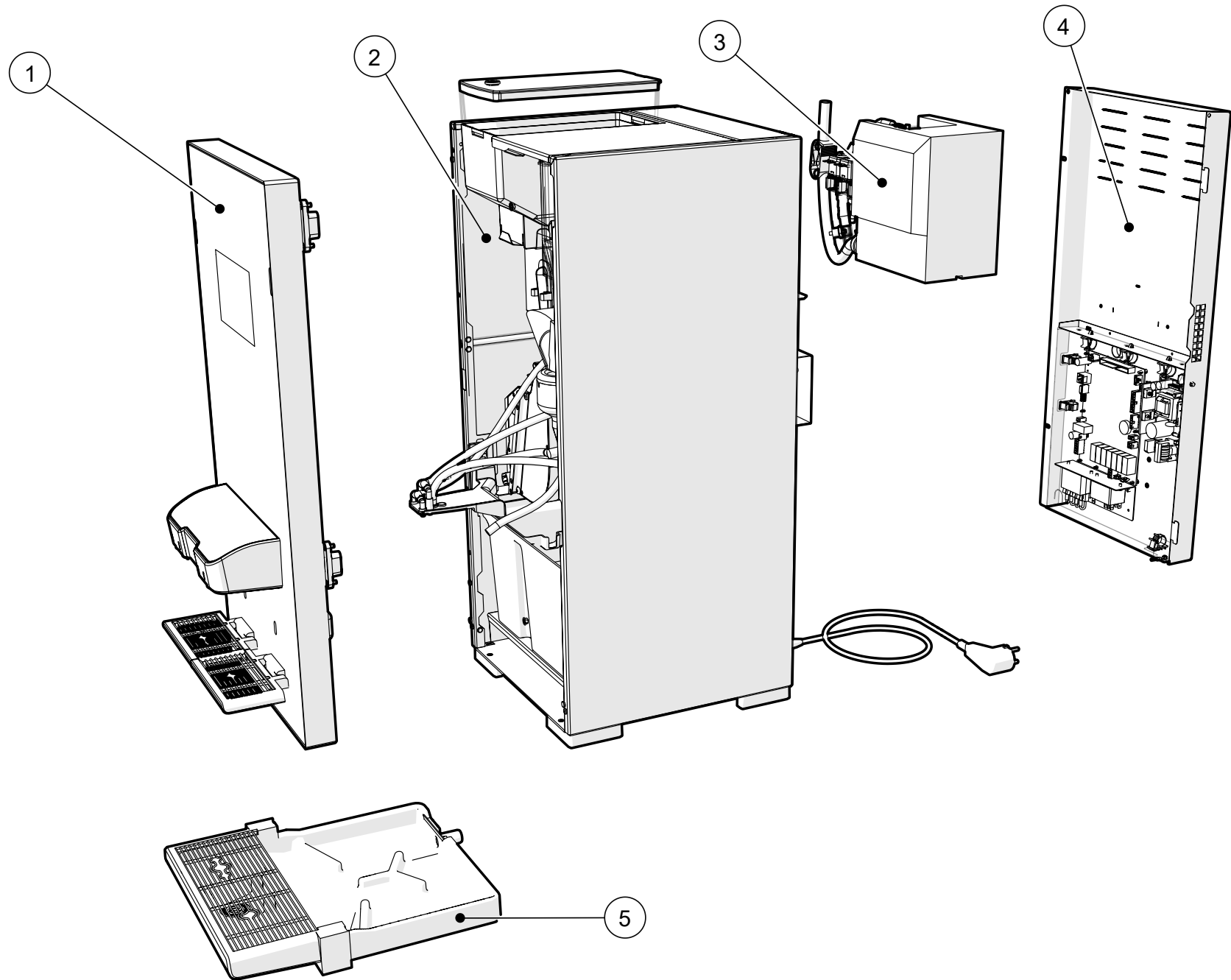
FABRIKANT:



Donker Duyvisweg 56
3316 BM Dordrecht
The Netherlands

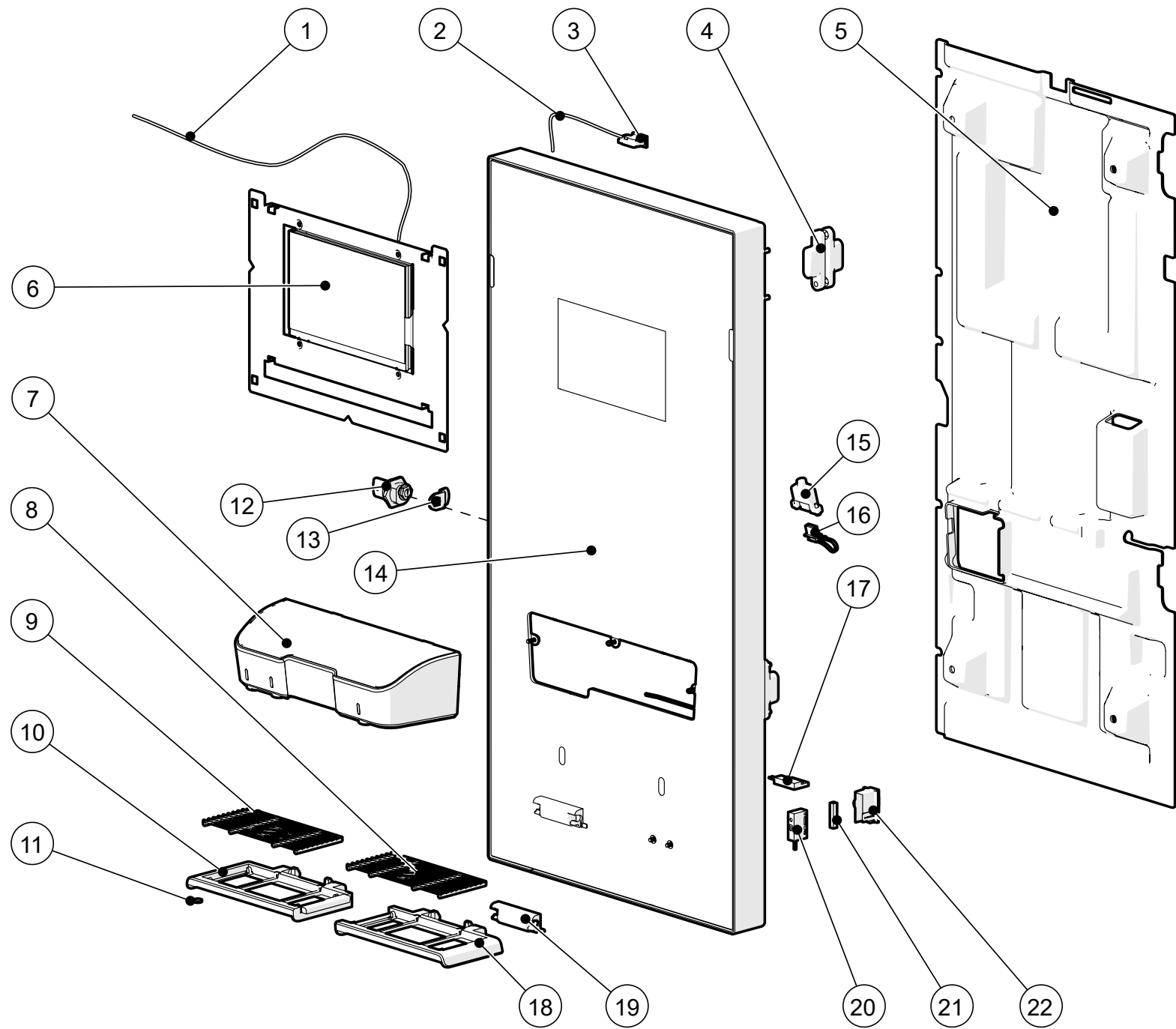
Inhoud

Overzicht / overview	5
1.0 Voordeur / Front door	7
1.1 Visuele uitgifte unit / Visual outlet spout	9
2.0 Basiskast / Base cabinet	11
2.1 Maler samenstelling / Grinder assembly	15
2.2 Dubbele uitloop samenstelling/Double outlet spout assembly	17
2.3 Mixer systeem / Mixing system	19
2.4 Espresso boiler + pomp samenstelling / Espresso boiler + pump assembly	21
2.5 Air break + flowmeter samenstelling / Air break + flowmeter assembly	23
2.6 Espresso brewer	25
3.0 Boiler 1,75 L	29
3.1 Boiler ventiel / Boiler valve	31
4.0 Achterdeur / Rear door	33
5.0 Lekbak / Drip tray	35



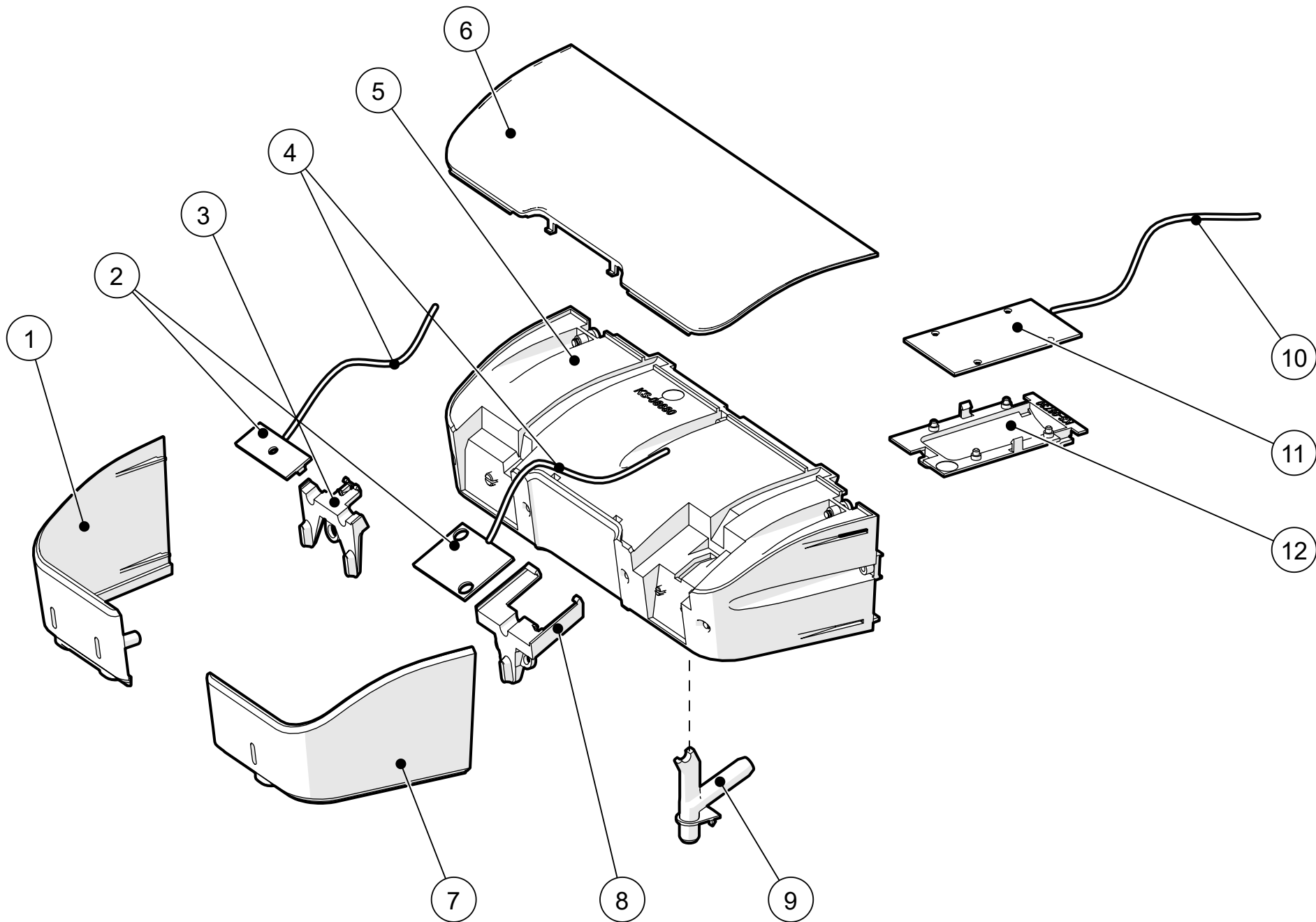
Overzicht / overview

No.	Pagina / Page	Omschrijving	Description
1.0	6 - 9	Voordeur	Front door
2.0	10 - 27	Basiskast	Base cabinet
3.0	28 - 31	Boiler 1,75 L	Boiler 1,75 L
4.0	32 - 33	Achterdeur	Rear door
5.0	34 - 35	Lekbak	Drip tray



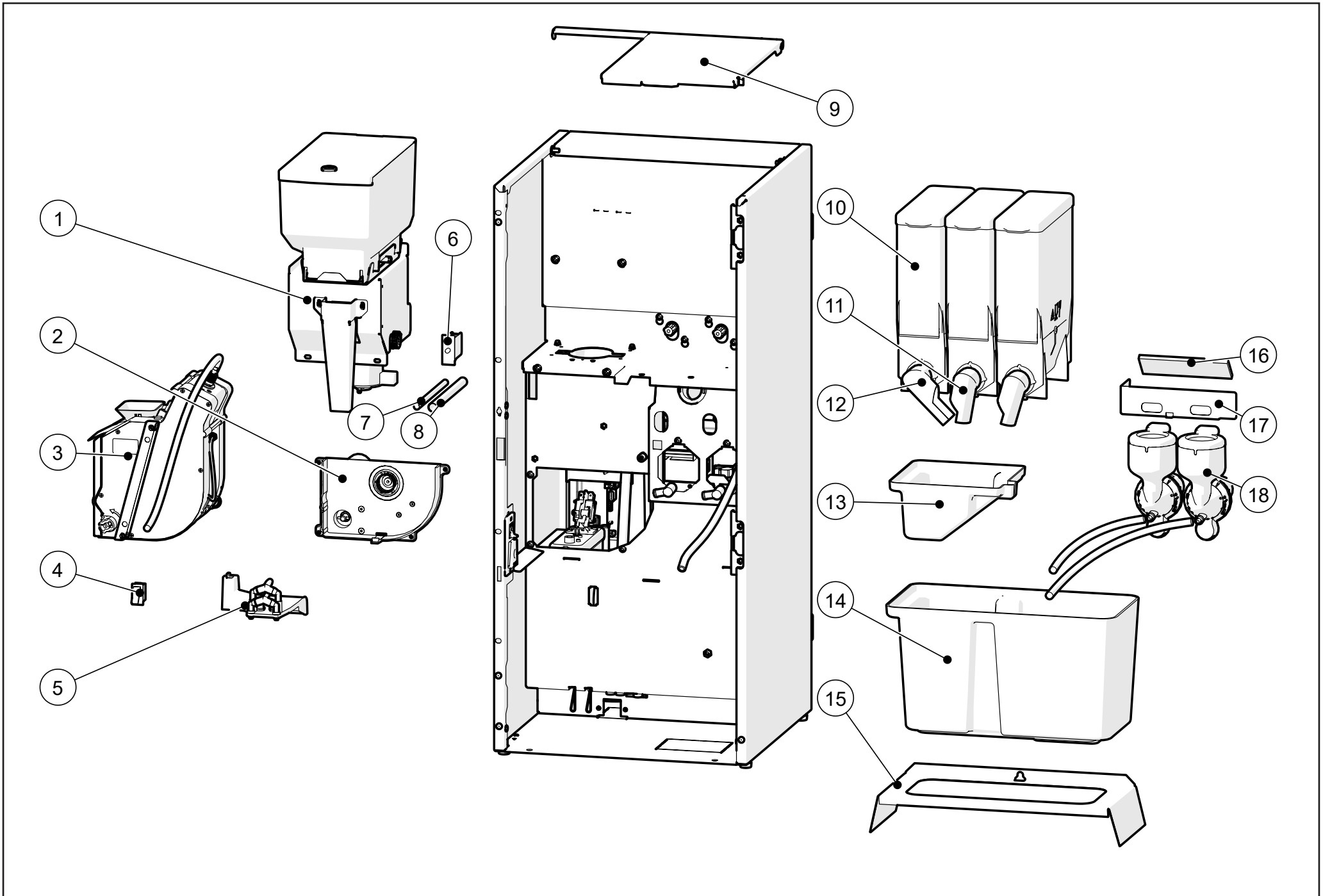
1.0 Voordeur / Front door

No.	Code	Omschrijving	Description
1.1	KB-04611	Datakabel	Data cable
1.2	KB-04990	Deurschakelaar kabel	Door switch cable
1.3	SM-02950	Deurschakelaar	Door switch
1.4	HS-00770	Scharnier	Hinge
1.5	KS-08850	Binnenpaneel	Inner door cover
1.6	SM-03620	Display unit	Display unit
1.7	VMUN-0150 > page 8-9	Uitgifte unit	Outlet spout
1.8	DW-02160	Bekerrooster grill rechts	Cup tray grille right
1.9	DW-02150	Bekerrooster grill links	Cup tray grille left
1.10	KS-08660	Bekerrooster links	Cup tray left
1.11	BM-07930	Magneet	Magnet
1.12	HS-00030	Deurslot cilinder + sleutel K123	Doorlock cylinder + key K123
1.13	HS-00110	Deurslot lip	Doorlock lever
1.14	TP-XXXXX	Branded glasplaat	Branded glass plate
1.15	KB-05200	USB kabel	USB cable
1.16	SM-03530	USB cap	USB cap
1.17	KB-05430	Reed contact	Reed contact
1.18	KS-08670	Bekerrooster rechts	Cup tray right
1.19	KS-08460	Bekerrooster mechanisme	Cup tray mechanism
1.20	SM-03630	Bekersensor	Cup sensor
1.21	TP-05430	Rubber blokje 5*25*5 mm	Rubber block 5*25*5 mm
1.22	KS-08470	Bekersensor bevestiging	Cup sensor bracket



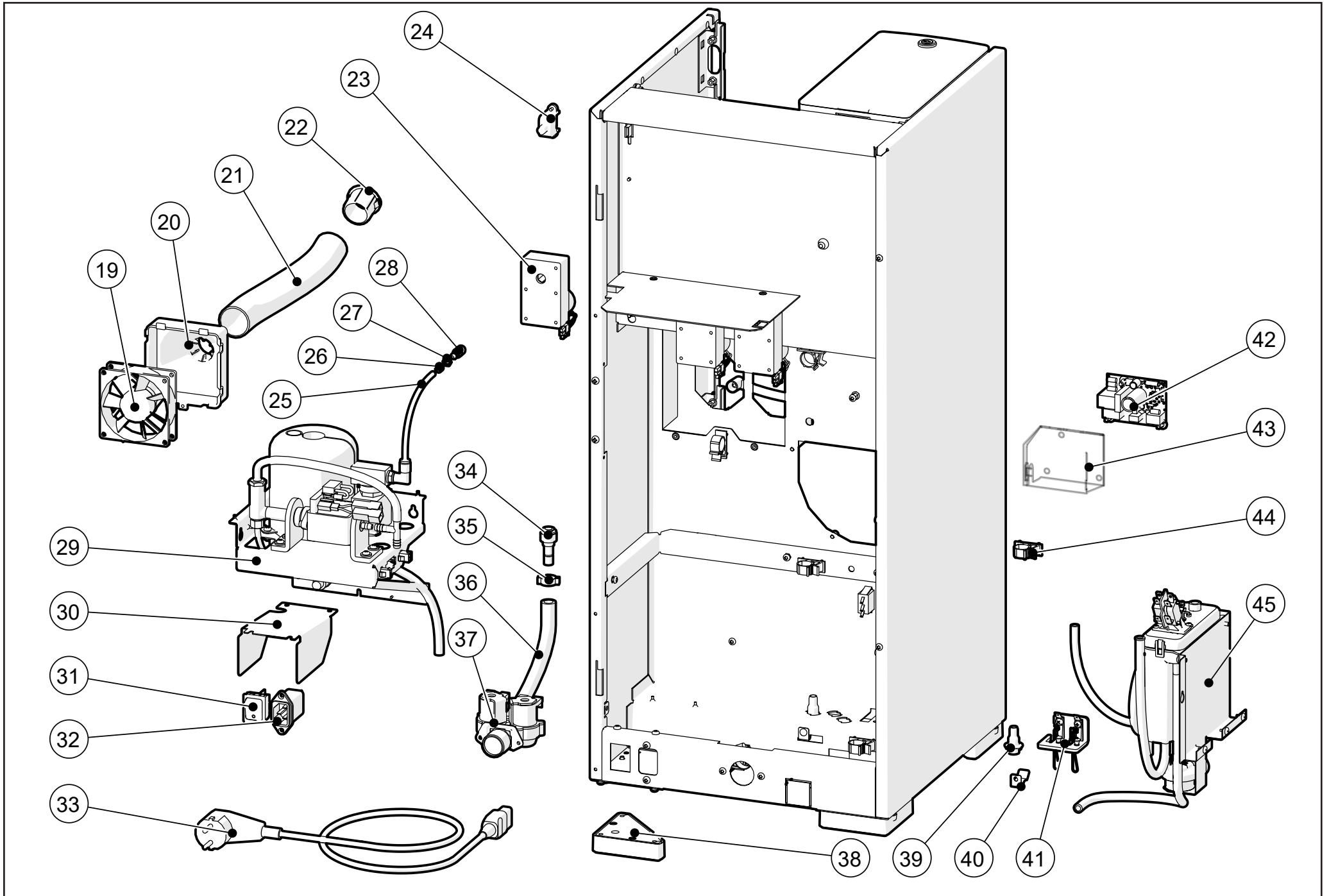
1.1 Uitgifte unit / Outlet spout

No.	Code	Omschrijving	Description
1.1.1	KS-08690	Spout cover links	Spout cover left
1.1.2	PP-00890	LED indicatie printplaat	LED indication PCB
1.1.3	KS-08720	Light guide links	Light guide left
1.1.4	KB-04751	LED indicatie kabel	LED indication cable
1.1.5	KS-08680	Spout base	Spout base
1.1.6	KS-08710	Spout top cover	Spout top cover
1.1.7	KS-08700	Spout cover rechts	Spout cover right
1.1.8	KS-08740	Light guide rechts	Light guide right
1.1.9	KS-08780	Heet water uitgifte	Hot water outlet
1.1.10	KB-05450	Sfeer licht kabel	Ambient light PCB
1.1.11	PP-00930	Sfeer licht printplaat	Ambient light PCB
1.1.12	KS-08730	Light guide midden	Light guide middle



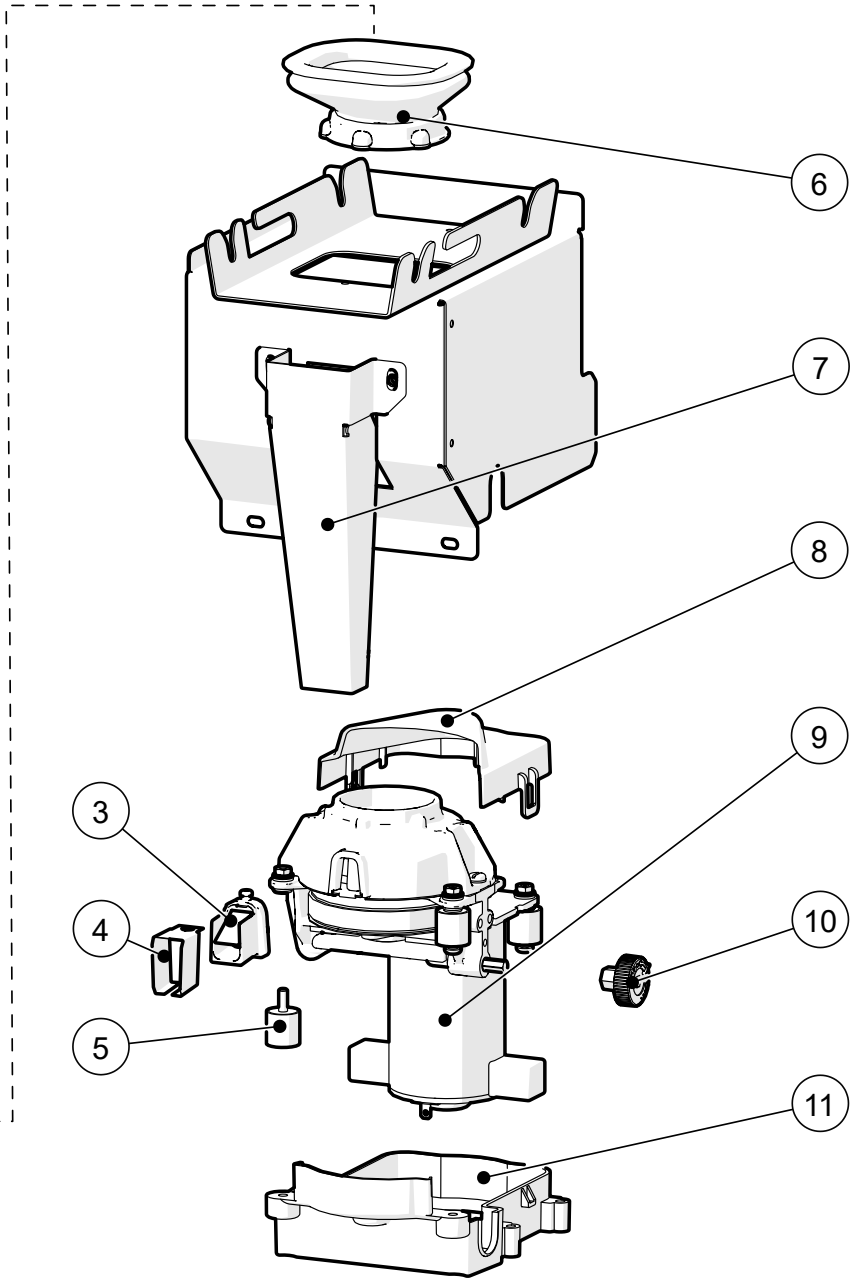
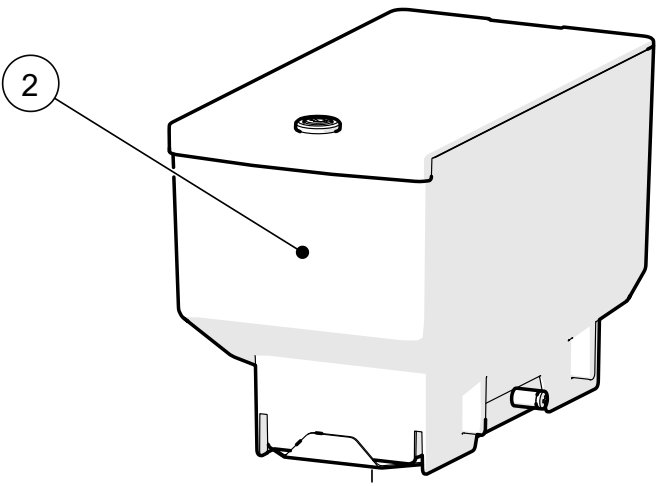
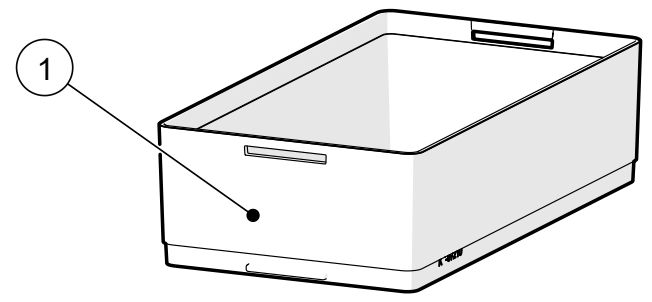
2.0 Basiskast / Base cabinet

No.	Code	Omschrijving	Description
2.1	> page 14-15	Maler samenstelling	Grinder assembly
2.2	BR-03880	Brewer motor 24V	Brewer motor 24V
2.3	BREW-0430 > page 24-27	Brewer compleet	Brewer complete
2.4	SM-02330	Vuilbakschakelaar	Waste bin switch
2.5	> page 16-17	Dubbele uitloop samenstelling	Double outlet spout assembly
2.6	SM-00110	Veiligheidsschakelaar	Safety switch
2.7	DW-02130	Schakelaar verlenging	Switch extension
2.8	KS-07460	Schakelaar verlenging huls	Switch extension sleeve
2.9	PW-16771	Dakje (met bonencanister)	Upper cover (with bean canister)
2.10	CR-03010	Canister D64, H250 melk, topping, cacao	Canister W64, H250 milk, topping, cacao
-	CR-03020	Canister D64, H250 instant koffie, thee	Canister W64, H250 instant coffee, tea
-	CR-03030	Canister D64, H250 suiker	Canister W64, H250 sugar
2.11	KS-03710	Canister uitloop links 76 mm	Canister outlet left 76 mm
2.12	KS-07510	Canister uitloop rechts 85 mm	Canister outlet right 85 mm
2.13	KS-08610	Inhangbakje vuilbak	Add on tray waste bin
2.14	KS-08380	Vuilbak	Waste bin
2.15	PW-17351	Vuilbaksteun	Waste bin support bracket
2.16	HL-00730	Afzuigfilter	Sunction filter
2.17	PW-16691	Afzuigbakje	Sunction bracket
2.18	> page 18-19	Mixersysteem	Mixing system



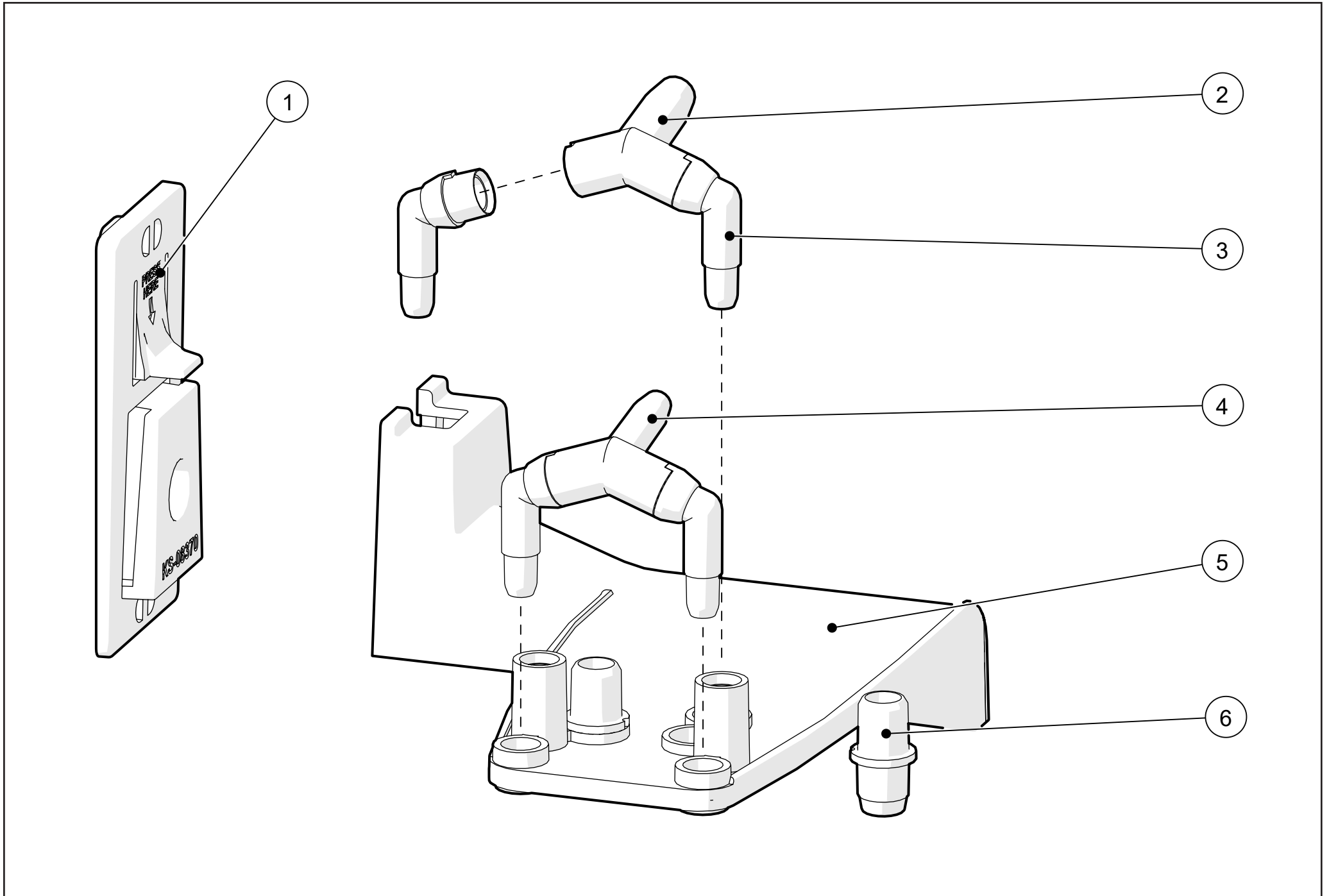
2.0 Basiskast / Base cabinet

No.	Code	Omschrijving	Description
2.19	MR-00491	Ventilator	Fan
2.20	KS-05270	Ventilator behuizing	Fan cover
2.21	SG-00570	Afzuigslang	Suction hose
2.22	KS-05260	Mond afzuigslang	Suction hose connector
2.23	MR-00165	Poedermotor	Powdermotor
2.24	KB-05100	USB bracket	USB bracket
2.25	SG-00623	Teflon slang Ø4xØ6	Teflon hose Ø4xØ6
2.26	BM-07620	Wartelmoer	Coupling nut
2.27	BM-07610	Moer M7*0,5	Nut M7*0,5
2.28	DW-02080	Doorvoerkoppeling brewer	Brewer coupling
2.29	> page 20-21	Espresso boiler + pomp samenstelling	Espresso boiler + pump assembly
2.30	PW-16981	Cover hoofdschakelaar + netfilter	Cover main switch + mains filter
2.31	SM-01012	Hoofdschakelaar	Main switch
2.32	SM-01380	Netfilter	Mains filter
2.33	KB-01220	Netsnoer CEE	Power cord CEE
-	KB-01223	Netsnoer DK	Power cord DK
2.34	BM-03780	Pushfit 8 x 10	Pushfit 8 x 10
2.35	BM-07240	Oorklem 14-17 mm	Ear clamp 14-17 mm
2.36	SG-00310	Toevoerslang	Water supply hose
2.37	VT-03420	Inlaatventiel dubbel	Inlet valve double
2.38	KS-08800	Machine voet vierkant	Raised machine foot square
2.39	KS-08600	Twist lock buisje	Twist lock tube
2.40	VR-00910	Lekbak veer	Spring for drip tray
2.41	LBSE-0050	Lekbak sensor	Drip tray sensor
2.42	PP-00851	Aansturingsprint maler	Control PCB grinder
2.43	KS-08630	Spatplaatje PP-00851	Splash cover PP-00851
2.44	BM-01010	Draadzadel plug 14 mm	Cable clamp 14 mm
2.45	> page 22-23	Air break + flowmeter samenstelling	Air break + flowmeter assembly



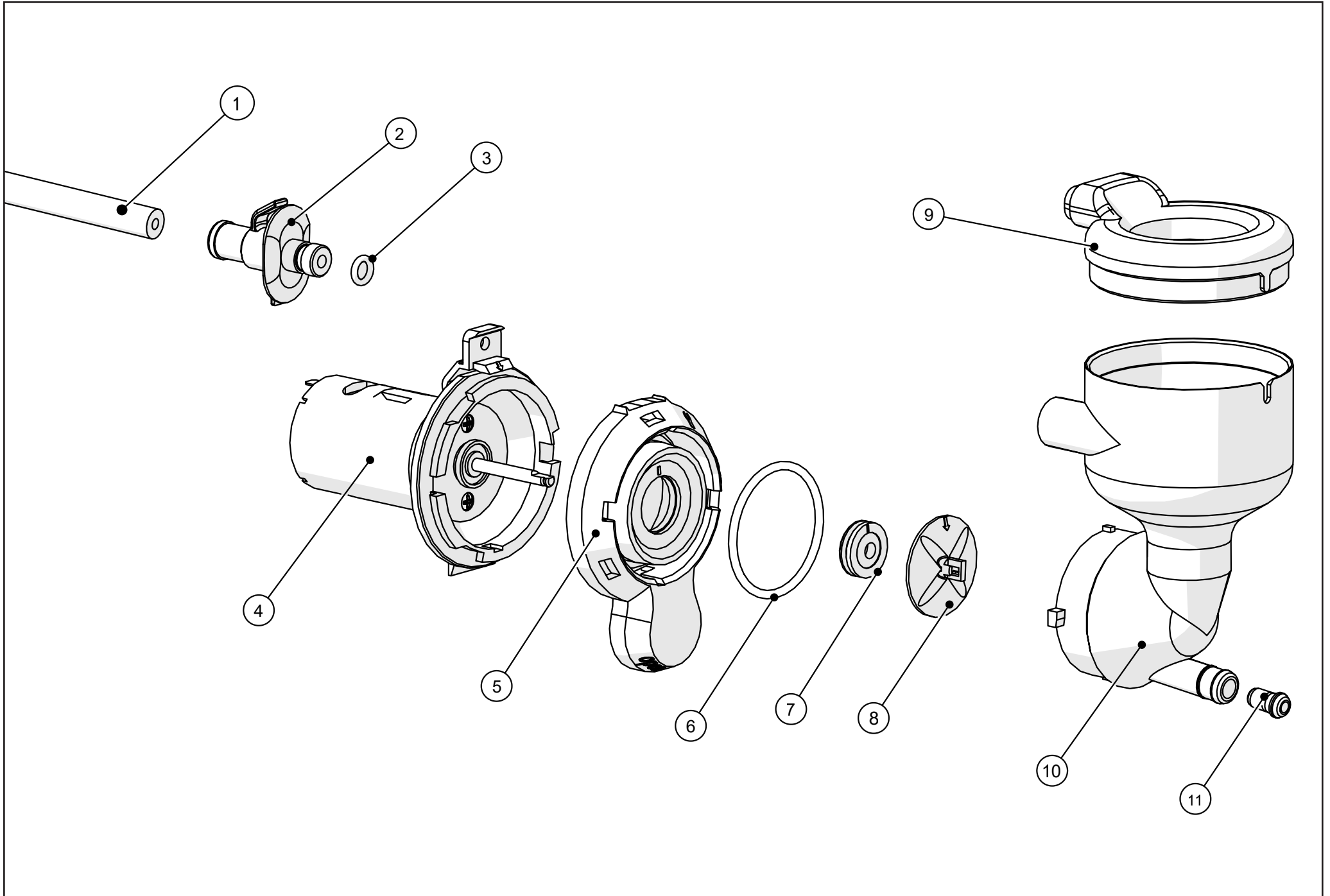
2.1 Maler samenstelling / Grinder assembly

No.	Code	Omschrijving	Description
2.1.1	KS-07210 KS-07220	Bonencanister opzetstuk 5 cm Bonencanister opzetstuk 12 cm	Beancanister add-on 5 cm Beancanister add-on 12 cm
2.1.2	ACCE-0610	Bonencanister	Beancanister
2.1.3	GR-00380	Grinder spout open	Grinder spout open
2.1.4	VR-00920	Grinder spout cover	Grinder spout cover
2.1.5	BM-07780	Trillingsdemper	Vibration damper
2.1.6	KS-08390	Balg maler	Grinder bellow
2.1.7	PW-17340	Maler goot	Grinder funnel
2.1.8	KS-08040	Maler afdekkap	Grinder cover
2.1.9	MR-00521	Maler	Grinder
-	GR-00360	Vervangingsset maalschijven (keramisch)	Replacement set grinding discs (ceramic)
-	GR-00361	Vervangingsset maalschijven (RVS)	Replacement set grinding discs (stainless steel)
2.1.10	KS-08090	Maler verstelknop	Grinder adjustment knob
2.1.11	KS-08030	Maler bevestiging	Grinder frame



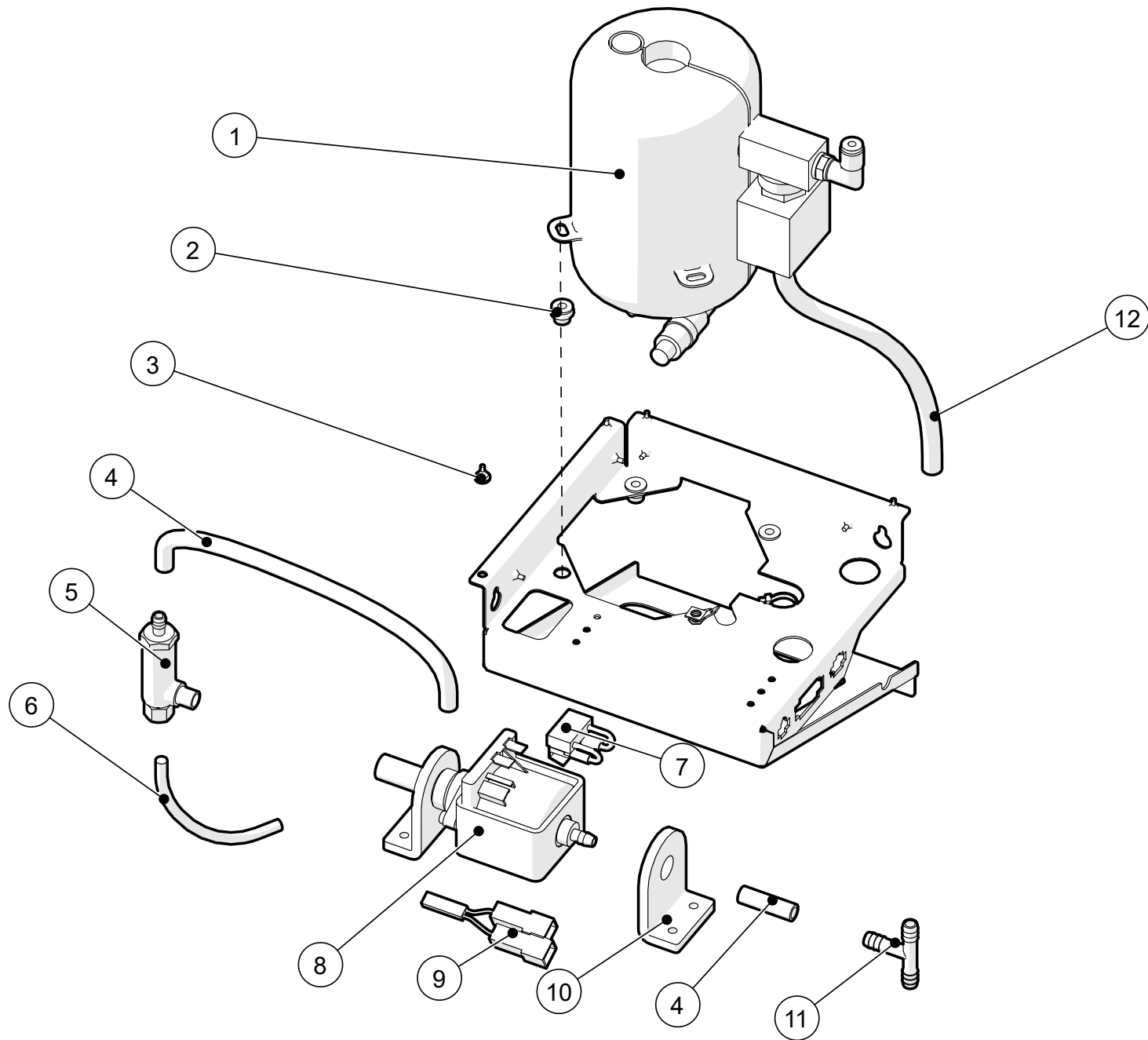
2.2 Dubbele uitloop samenstelling/Double outlet spout assembly

No.	Code	Omschrijving	Description
2.2.1	KS-08370	Ophangbracket uitlooparm	Base bracket outlet arm
2.2.2	KS-08860	T-stuk 6 mm (instant)	T-piece 6 mm (instant)
2.2.3	KS-08870	Uitloop knietje	Outlet knee
2.2.4	KS-08880	T-stuk 4 mm (espresso)	T-piece 4 mm (espresso)
2.2.5	KS-08770	Uitloop arm	Outlet arm
2.2.6	KS-08120	Uitloop pijpje	Outlet pipe



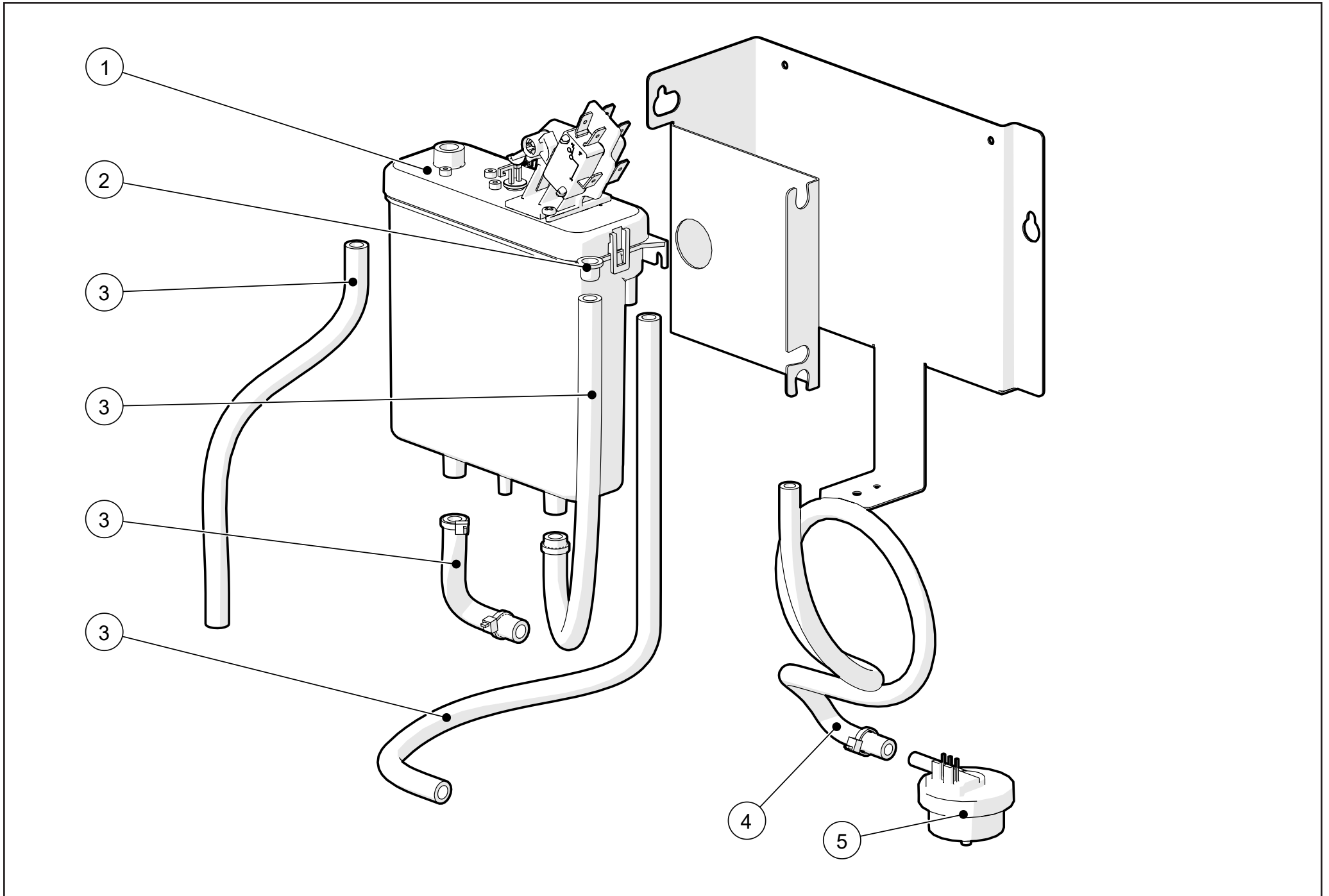
2.3 Mixer systeem / Mixing system

No.	Code	Omschrijving	Description
2.3.1	SG-00120	Silliconen slang $\varnothing 6 \times \varnothing 10$	Sillicon hose $\varnothing 6 \times \varnothing 10$
2.3.2	KS-07890	Waterkoppeling	Water coupling
2.3.3	BR-03591	O-ring waterkoppeling	O-ring watercoupling
2.3.4	MR-00510	Mixer motor	Mixer motor
2.3.5	KS-07871	Mixer blokkeerring premium (incl. afdichtingen)	Mixer locking ring premium (seals included)
2.3.6	KS-04540	O-ring blokkeerring (los)	O-ring locking ring (seperate)
2.3.7	KS-07850 KS-07851	As afdichting basic (los) As afdichting premium (los)	Shaft seal basic (seperate) Shaft seal premium (seperate)
2.3.8	KS-07840	Mixerschoep	Mixing paddle
2.3.9	KS-07830	Afzuigring	Sunction ring
2.3.10	KS-07820	Mixerkom	Mixing bowl
2.3.11	KS-07940	Uitloop adapter	Outlet adapter



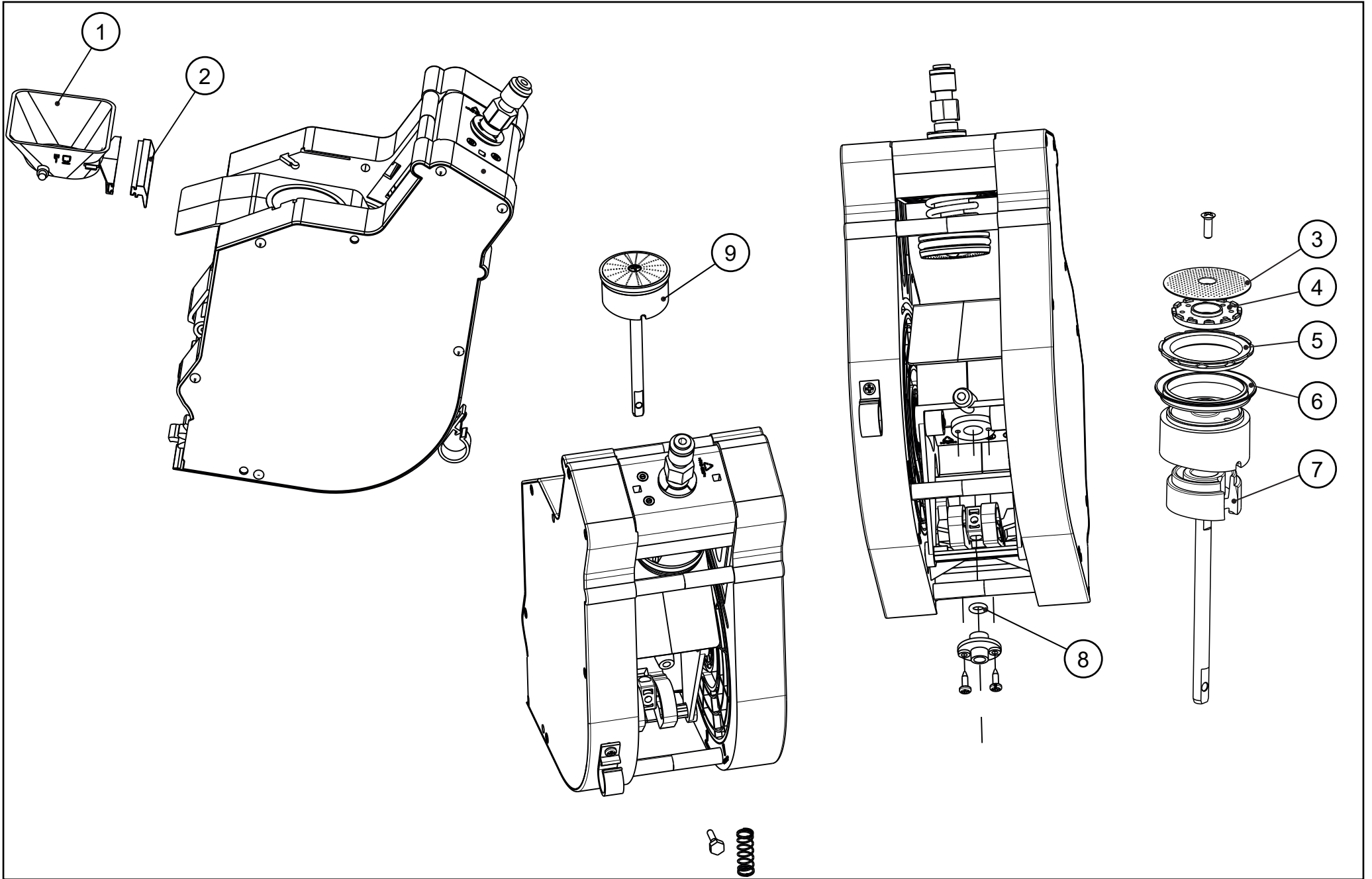
2.4 Espresso boiler + pomp samenstelling / Espresso boiler + pump assembly

No.	Code	Omschrijving	Description
2.4.1	BOIL-0320	Espresso boiler 0,4 L / 230 V / 1,5 kW	Espresso boiler 0.4 L / 230 V / 1.5 kW
2.4.2	BM-01710	Rubberen trekmoer M4	Rubber retraction nut M4
2.4.3	BM-07920	Rubber buffer	Rubber buffer
2.4.4	SG-00680	Silliconen slang $\varnothing 5 \times \varnothing 9$	Silicon hose $\varnothing 5 \times \varnothing 9$
2.4.5	VT-03450	By-pass	By-pass
2.4.6	SG-00623	Teflon slang $\varnothing 4 \times \varnothing 6$	Teflon hose $\varnothing 4 \times \varnothing 6$
2.4.7	SM-00261	RC filter	RC filter
2.4.8	VT-03540	Espresso pomp	Espresso pump
2.4.9	SM-03641	Thermische beveiliging	Thermal protector
2.4.10	VT-03560	Rubber montageblok pomp	Rubber mounting block pump
2.4.11	KS-02880	T-stuk 6 mm	T piece 6 mm
2.4.12	SG-00120	Silliconen slang $\varnothing 6 \times \varnothing 10$	Silicon hose $\varnothing 6 \times \varnothing 10$



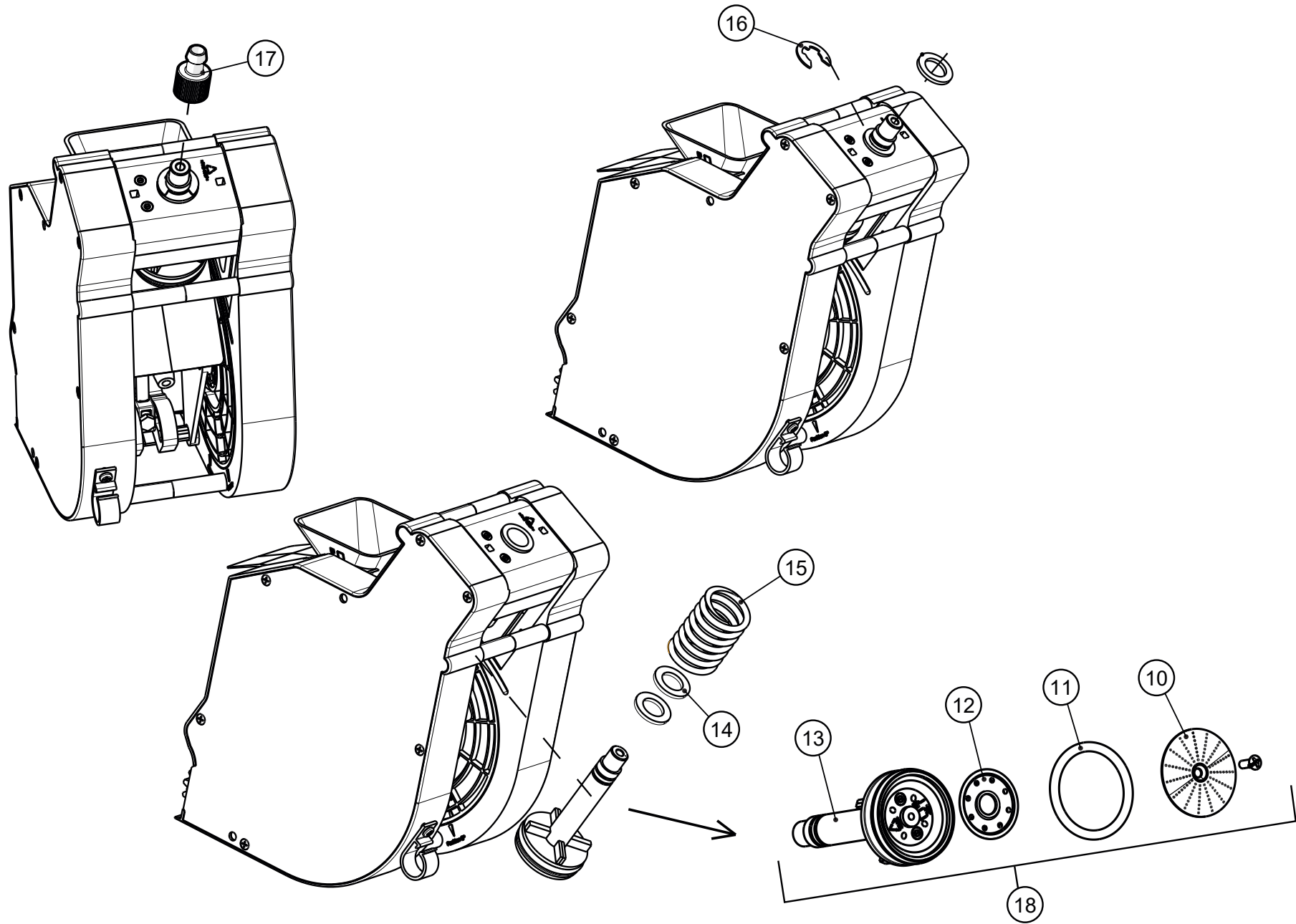
2.5 Air break + flowmeter samenstelling / Air break + flowmeter assembly

No.	Code	Omschrijving	Description
2.5.1	BOIL-0270	Air break	Air break
2.5.2	BM-00170	Afdichtstop	Sealing stop
2.5.3	SG-00120	Silliconen slang $\varnothing 6 \times \varnothing 10$	Silicon hose $\varnothing 6 \times \varnothing 10$
2.5.4	SG-00680	Silliconen slang $\varnothing 5 \times \varnothing 9$	Silicon hose $\varnothing 5 \times \varnothing 9$
2.5.5	VT-03550	Flowmeter	Flowmeter



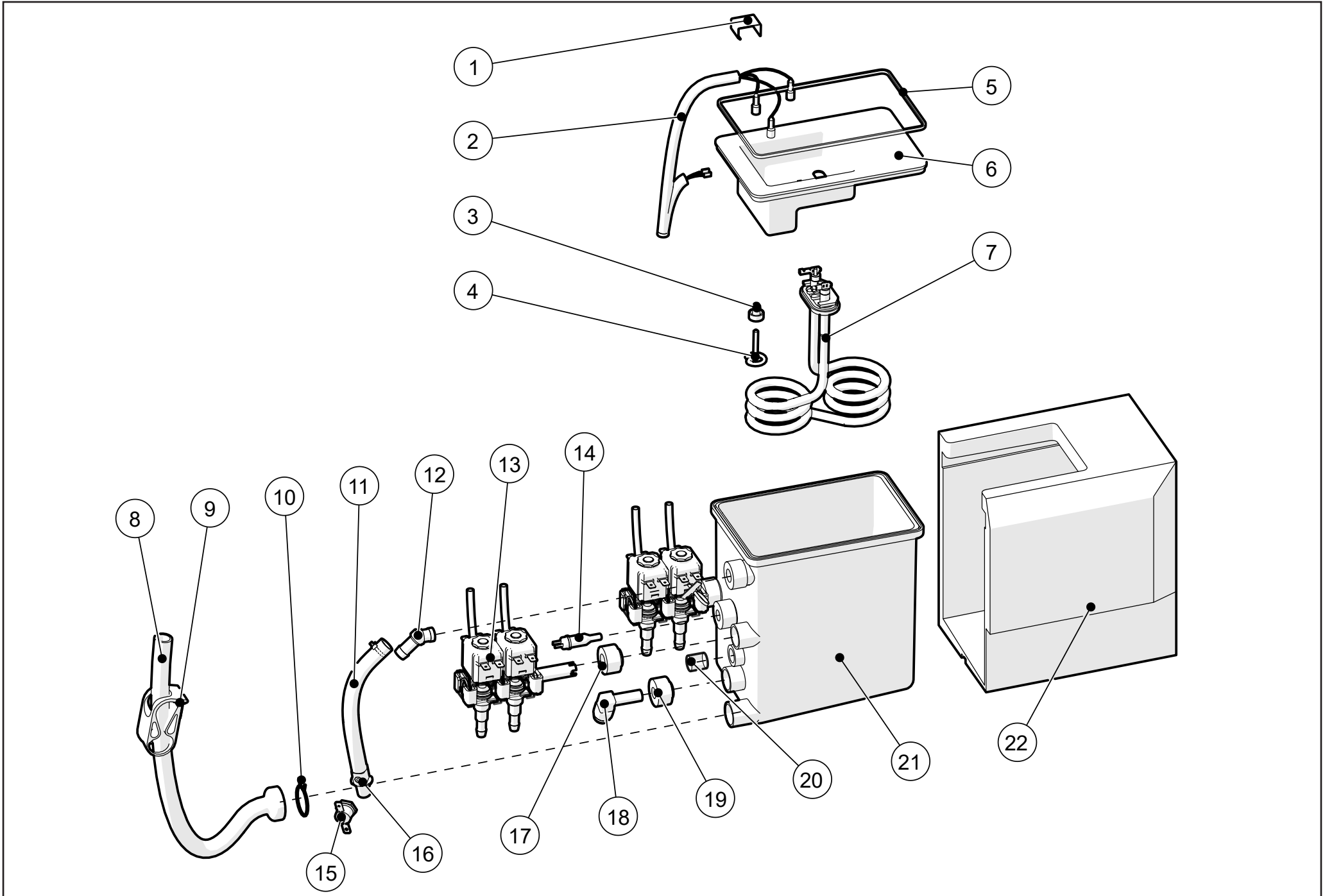
2.6 Espresso brewer

No.	Code	Omschrijving	Description
2.6.1	BR-03593	Espresso brewer trechter	Espresso brewer funnel
2.6.2	BR-03590	Trechter veeger	Funnel wiper
2.6.3	BR-03530	Filter espresso brewer 37 mm	Filter espresso brewer 37 mm
2.6.4	BR-03990	Filter support V-ring 37mm onderste zuiger	Filter support V-ring 37mm lower piston
2.6.5	BR-03980	Support ring V-ring 37mm onderste zuiger	Support ring V-ring 37mm lower piston
2.6.6	BR-03970	V-ring 37 mm onderste zuiger	V-ring 37 mm lower piston
2.6.7	BR-03840	Vulring onderfilter	Filter bottom spacer
2.6.8	BR-03591	O-ring onderas	O-ring bottom axle
2.6.9	BR-03940	Upgrade onderste zuiger 37 mm brewer V-ring	Upgrade lower piston 37 mm brewer V-ring



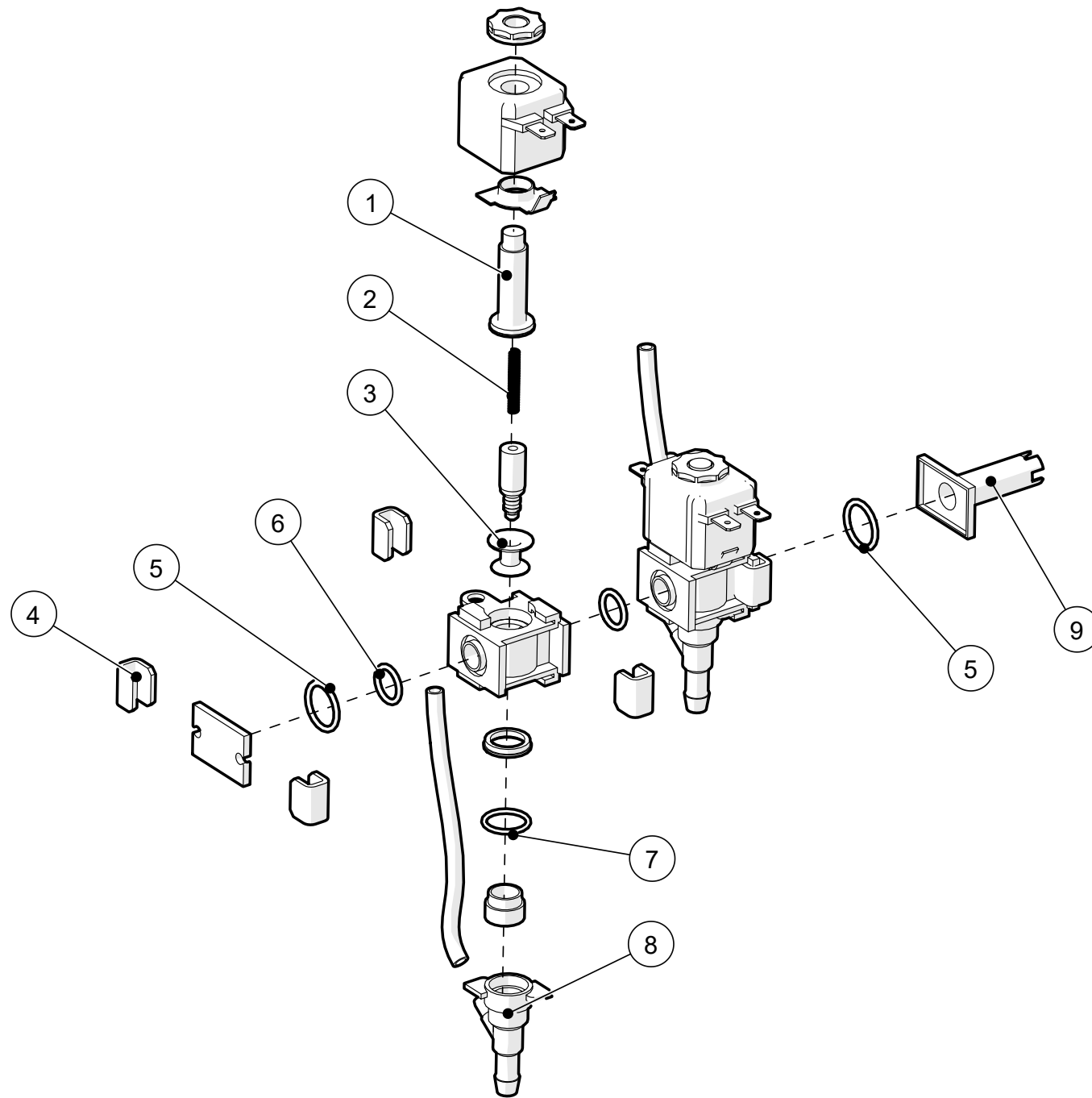
2.6 Espresso brewer

No.	Code	Omschrijving	Description
2.6.10	BR-03530 BR-03531	Basic filter espresso brewer 37 mm Premium filter espresso brewer 37 mm	Basic filter espresso brewer 37 mm Premium filter espresso brewer 37 mm
2.6.11	BR-03592	O-ring bovenste zuiger 37 mm	O-ring top piston 37 mm
2.6.12	BR-04010	Filter support collar 37 mm bovenste zuiger	Filter support collar 37 mm upper piston
2.6.13	BR-04000	Bovenste zuiger 2021 37 mm	Upper piston 2021 37 mm
2.6.14	BR-03596	Spacer bovenste zuiger	Spacer top piston
2.6.15	BR-03595	Veer bovenste zuiger	Spring top piston
2.6.16	BR-03594	Seeger clip	Seeger clip
2.6.17	DW-02120	Slangkoppeling brewer	Hose coupling brewer
2.6.18	Basic: BR-03930 Premium: BR-03931	Upgrade bovenste zuiger 37 mm brewer	Upgrade upper piston 37 mm brewer



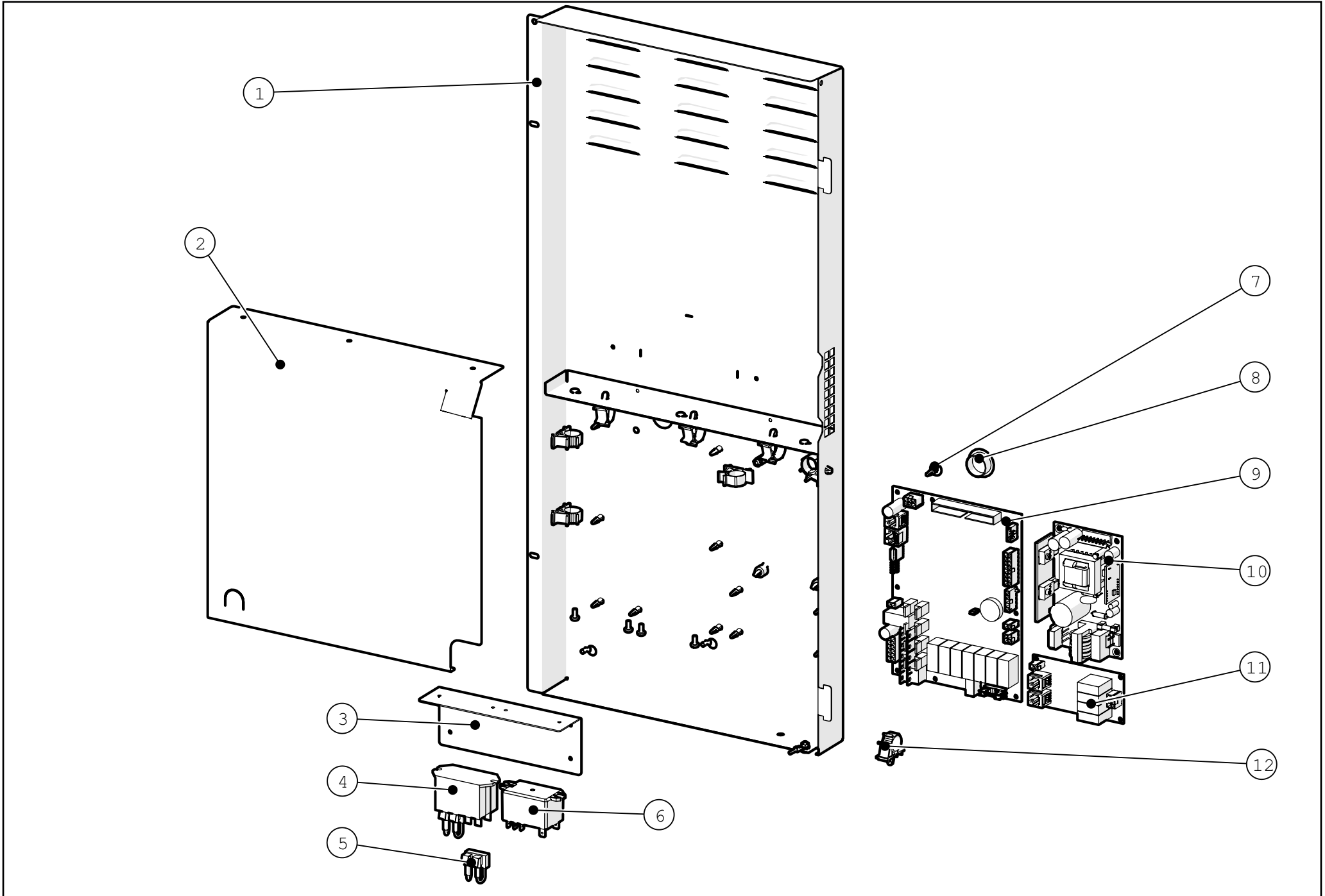
3.0 Boiler 1,75 L

No.	Code	Omschrijving	Description
3.1	VR-00280	Veerclip boilerdeksel	Spring boiler lid
3.2	KB-02130	Kabelboom boilersensoren	Harness boilersensors
3.3	SG-00170	Tule boilersensor	Tule boilersensor
3.4	DW-00750	Boilersensor	Boilersensor
3.5	SG-00250	Afdichting boilerdeksel	Seal boiler lid
3.6	KS-01830	Boilerdeksel	Boiler lid
3.7	SM-01272	Verwarmingselement	Heater element
3.8	SG-00140	Aftapslang	Drain hose
3.9	BM-01810	Klem aftapslang	Clamp drain hose
3.10	VR-00020	Veer aftapslang	Spring drain hose
3.11	SG-00040	Silliconen slang Ø10xØ14	Sillicon hose Ø10x14
3.12	VT-00160	Knie overloopslang	Knee overflow hose
3.13	VT-00044 > page 30-31	Boiler ventiel	Boiler valve
3.14	SM-00880	NTC sensor	NTC sensor
3.15	SM-03440	Clixon	Clixon
3.16	KS-00531	Clixon connector	Clixon connector
3.17	VT-00080	Afdichting ventiel	Valve seal
3.18	BM-07630	Pushfit knie	Pushfit knee
3.19	VT-01920	Manchet	Manchet
3.20	SG-00290	Siliconen snoer Ø14 mm 60° shore	Silicone cord Ø14 mm 60° shore
3.21	KS-01820	Boilertank	Boilertank
3.22	KS-01920	Boilerisolatie	Boiler insulation



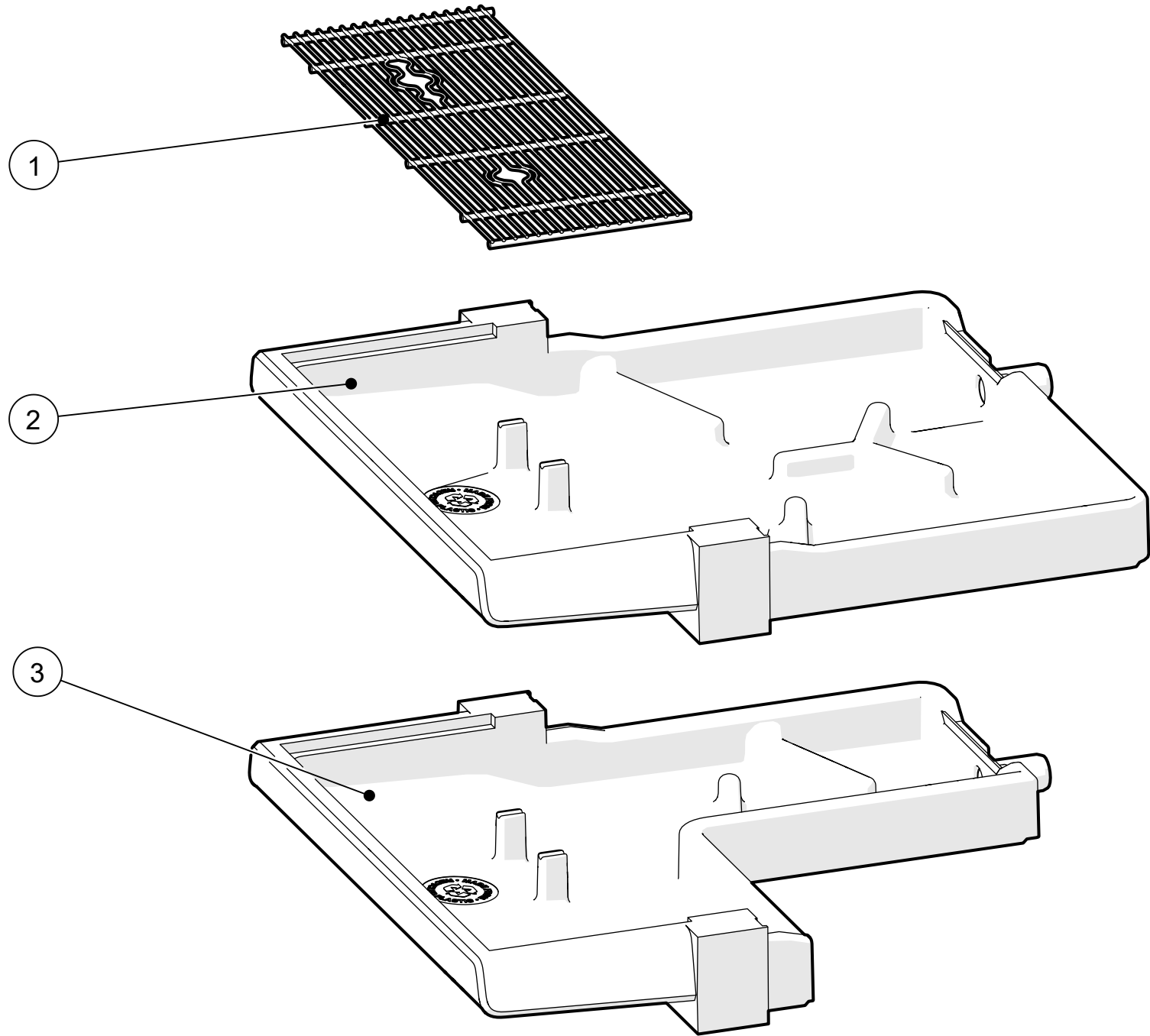
3.1 Boiler ventiel / Boiler valve

No.	Code	Omschrijving	Description
3.1.1	VT-02004	Cilinder voor plunjer	Cylinder for plunger
3.1.2	VT-02006	Veer	Spring
3.1.3	VT-01992	Membraan	Membrane
3.1.4	VT-01950	Clip	Clip
3.1.5	VT-01995	O-ring 20 mm	O-ring 20 mm
3.1.6	VT-01996	O-ring 15 mm	O-ring 15 mm
3.1.7	VT-01993	O-ring uitgifte	O-ring outlet
3.1.8	VT-02000	Uitgifte pijp	Outlet pipe
3.1.9	VT-01998	Inlaat pijp	Inlet pipe



4.0 Achterdeur / Rear door

No.	Code	Omschrijving	Description
4.1	PW-16751	Achterdeur	Rear door
4.2	KS-08620	Spatflap achterdeur	Splash cover rear door
4.3	PW-16721	Beugel relais	Bracket relays
4.4	SM-02630	Relais verwarmingselement	Heater relay
4.5	SM-00261	RC filter	RC filter
4.6	SM-03420	Wissel relais espressoboiler	Switch relay espresso boiler
4.7	BM-07200	Printafstandhouder	PCB spacer
4.8	BM-07900	Afdek dop	Hole plug
4.9	PP-00581	Hoofdprintplaat	Main PCB
4.10	SM-03410	Voeding 24V	Power supply 24V
4.11	PP-00310	Uitbreidingsprint	Extension PCB
4.12	BM-01010	Kabelklem	Cable clamp



5.0 Lekbak / Driptray

No.	Code	Omschrijving	Description
5.1	DW-02170	Lekbak rooster	Drip tray grille
5.2	KS-08640	Lekbak groot	Drip tray large
5.3	KS-08650	Lekbak klein	Drip tray small

